

	From 0 to +50 °C (ambient model) From -100 to +400 °C (model with terminal block)
	°C / °F
*	±0.3 % of reading ±0.25 °C
	T ₉₀ = 0.9 second for V _{air} = 1 m/s
	0.1 °C
	Pt100 1/3 as per DIN IEC751
	Air and neutral gases

*All the accuracies indicated in this technical datasheet were stated in laboratory conditions, and can be guaranteed for measurements carried out in the same conditions, or carried out with calibration compensation.

	24 Vac / Vdc ±10 % 115 Vac or 230 Vac ±10 %, 50-60 Hz
	2 x 4-20 mA or 2 x 0-20 mA ou 2 x 0-5 V or 2 x 0-10 V (4 wires) Maximum load : 500 Ohms (0/4-20 mA) Minimum load : 1 K Ohms (0-5/10 V)
Galvanic isolation	Inputs and outputs (models 115 Vac/230 Vac) Outputs (models 24 Vac/Vdc)
	5 VA
	EN61326
	Screw terminal block for cable 2.5 mm ²
PC	Kimo USB-Mini Din cable
	Air and neutral gases
	Air and neutral gases
	From 0 to +50 °C
	From -10 to +70 °C

TECHNICAL FEATURES OF THE TEMPERATURE PROBES

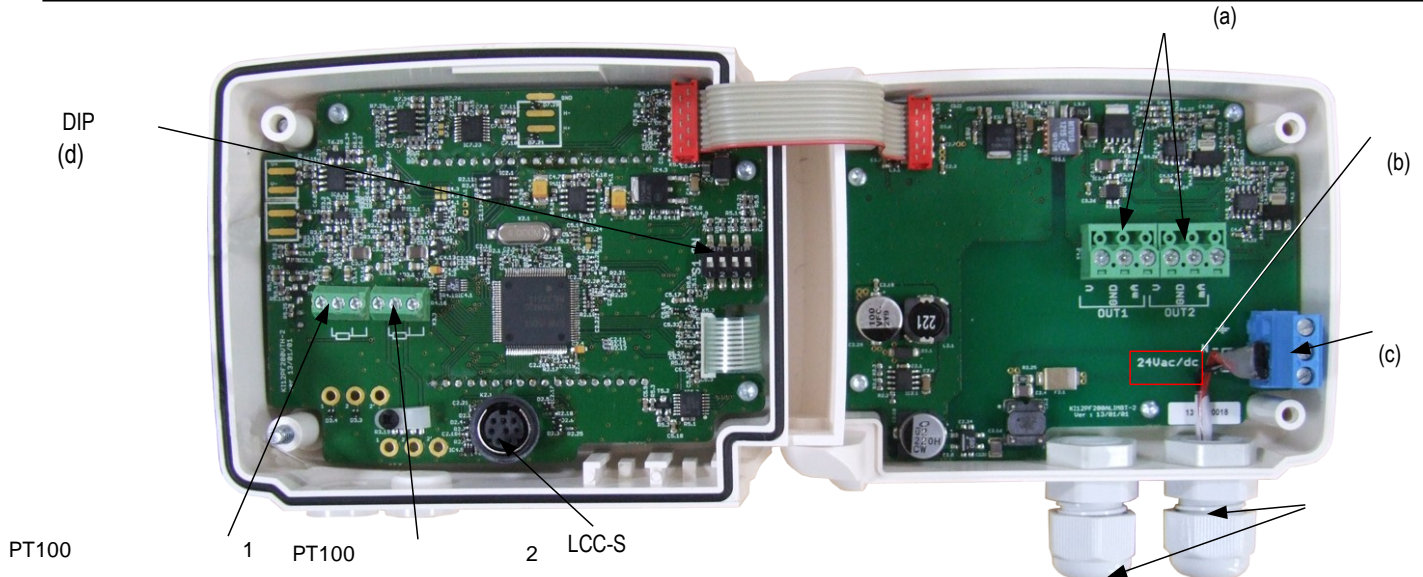
2가 -100~400 가 .(, ,)



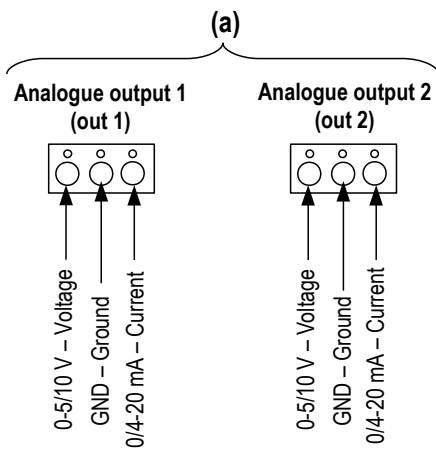
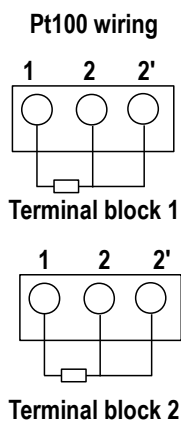
Temperature difference : 2

가

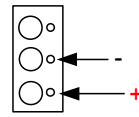
2



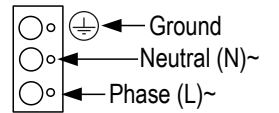
PT100



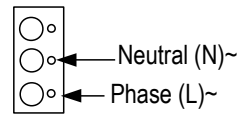
(c) For power supply 24 Vdc models



(c) For power supply 230 Vac, 115 Vac models



or
 (c) For power supply 24 Vac models



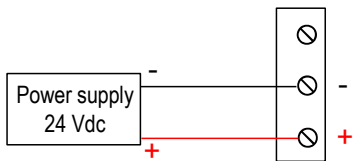
– as per *NFC15-100* standard



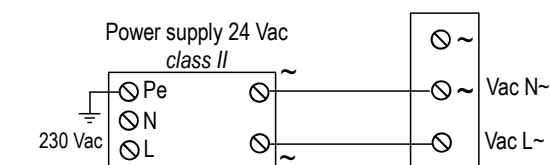
(b)

가

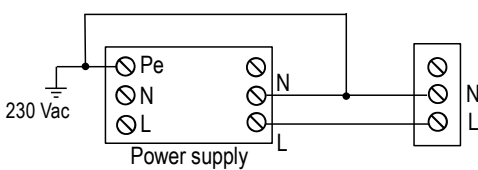
> For transmitters with 24 Vdc power supply :



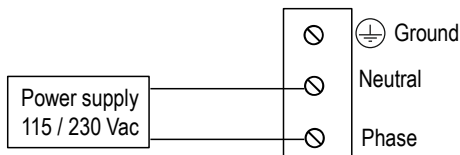
> For transmitters with 24 Vac power supply :



or



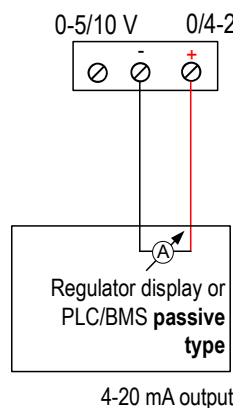
> For transmitters with 115 or 230 Vac power supply :



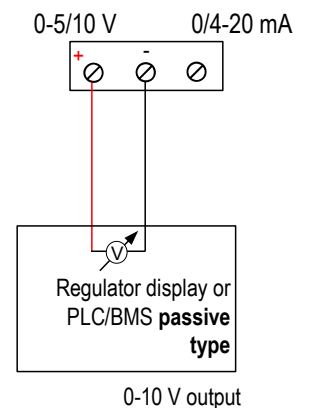
(0~10V 0~5V) / DIP (4~20mA 0~20mA) 가

Configurations	4-20 mA	0-10 V	0-5 V	0-20 mA
Combinations				
	1 2 3 4	1 2 3 4	1 2 3 4	1 2 3 4

> Connection of the output in current 4-20 mA :



> Connection of output in voltage 0-10 V :



Class 210

가 : , , , ,

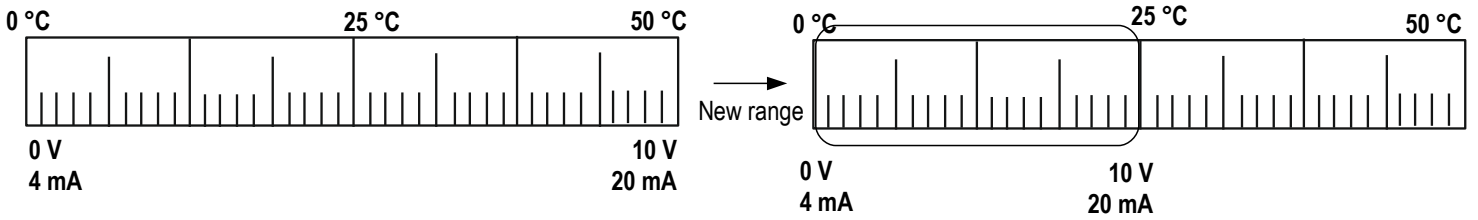
- () : (Class 210)
- (,) : 가 (LCC-S)

Configurable analogue output :

It is possible to configure your own intermediary ranges

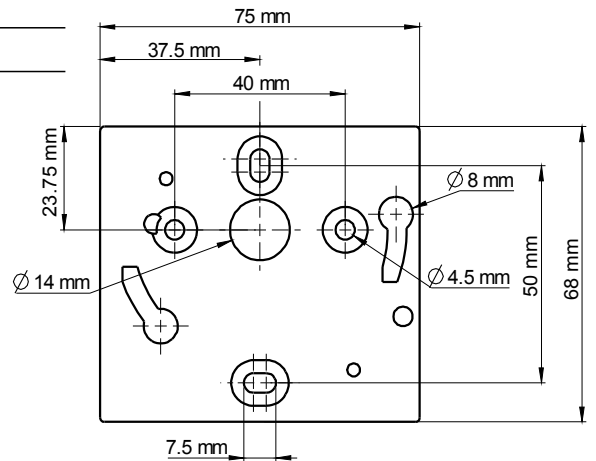
Caution : the minimum difference between the high range and the low range is 20.

Configure the range according to your needs : outputs are automatically adjusted to the new measuring range



ABS (6mm)

ABS " " 가



: 가 . (/

PLC/BMS) 0V, 5V, 10V 4mA, 12mA, 20mA

: Class 210

- LCC-S : (USB)
- Calibration certificate :
- Pt100 temperature probes

www.kimo.fr

Distributed by :



EXPORT DEPARTMENT
 Tel : + 33. 1. 60. 06. 69. 25 - Fax : + 33. 1. 60. 06. 69. 29
 e-mail : export@kimo.fr